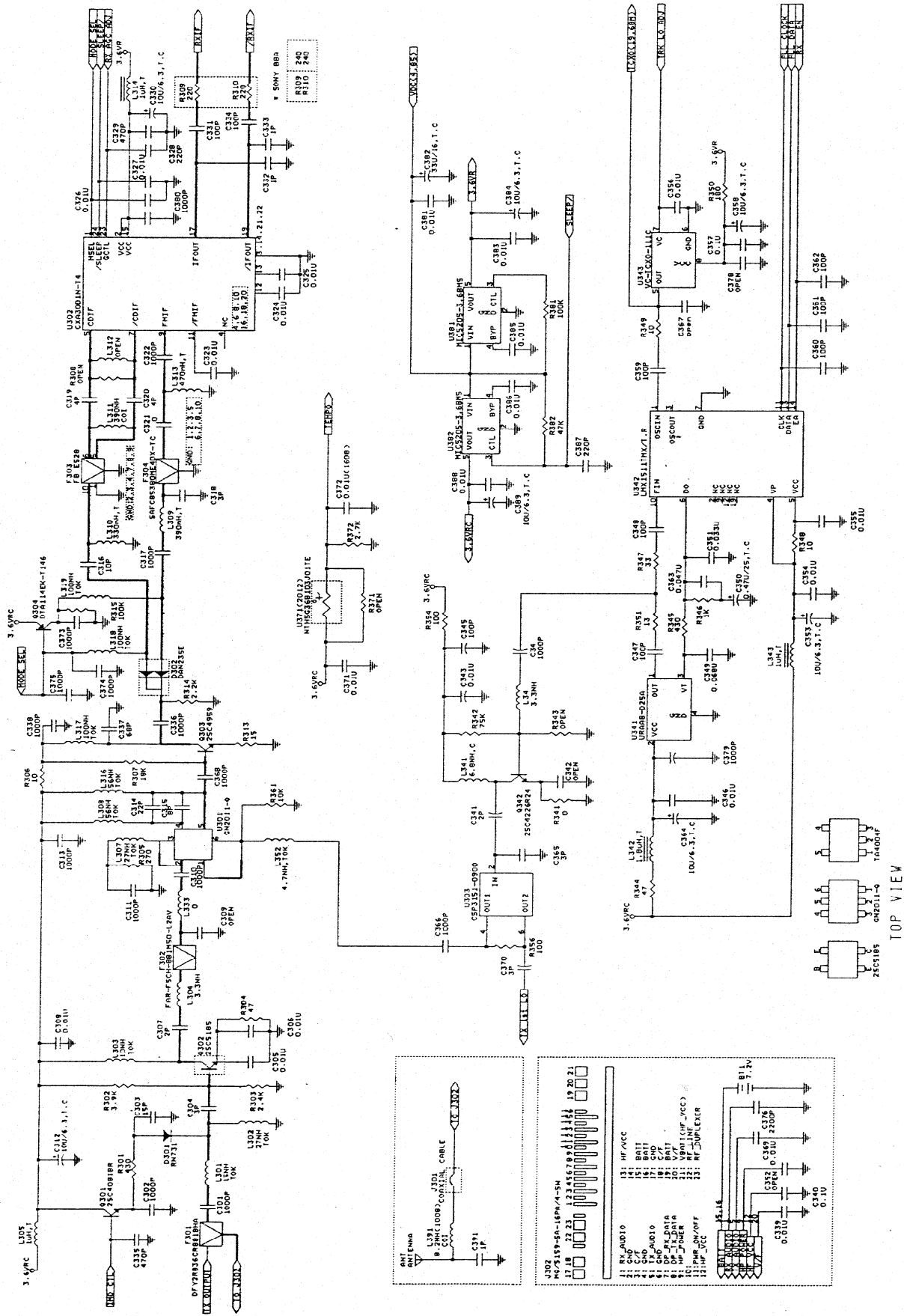
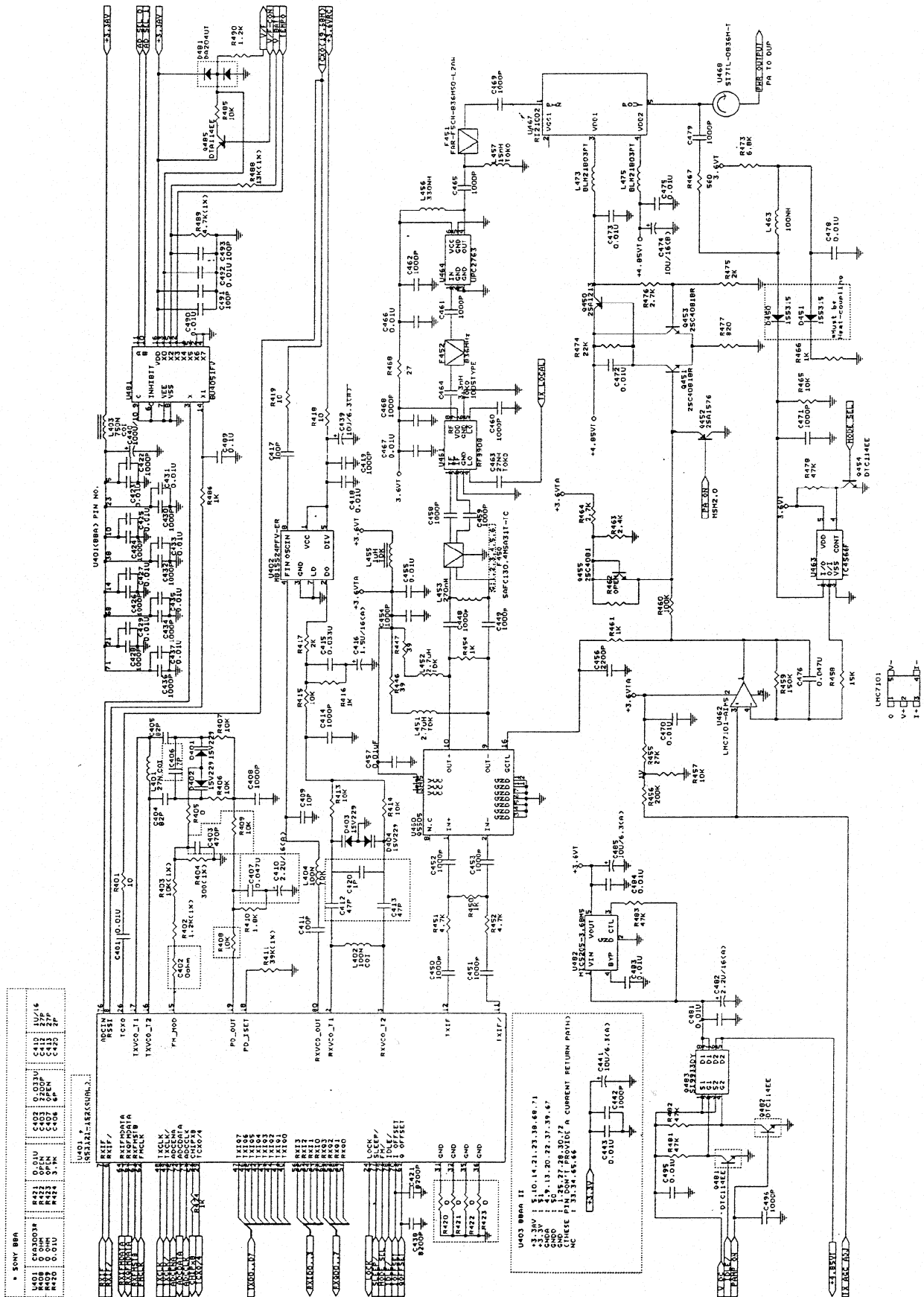


11-7 Receiver Circuit Diagram

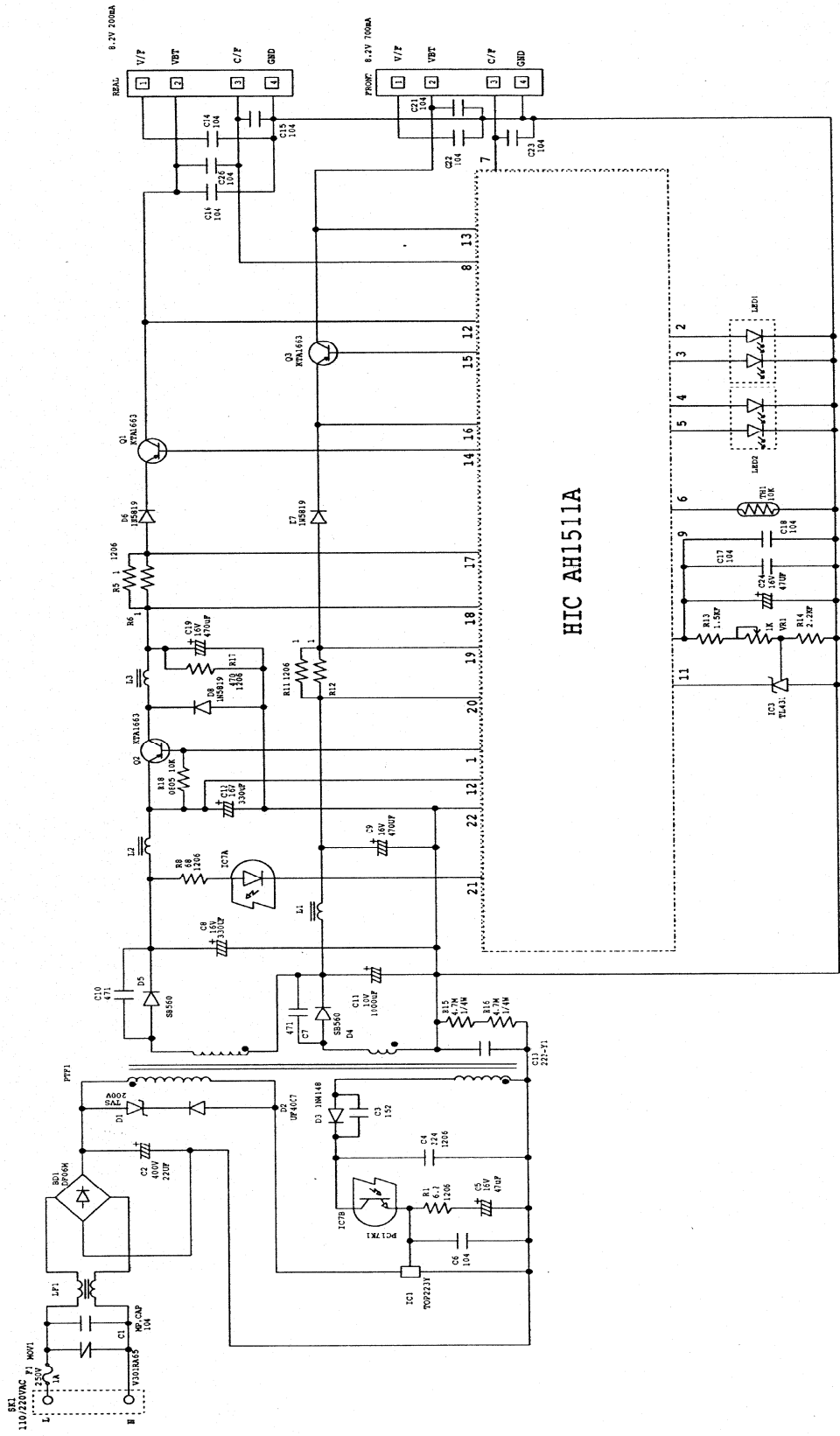


TOP VIEW

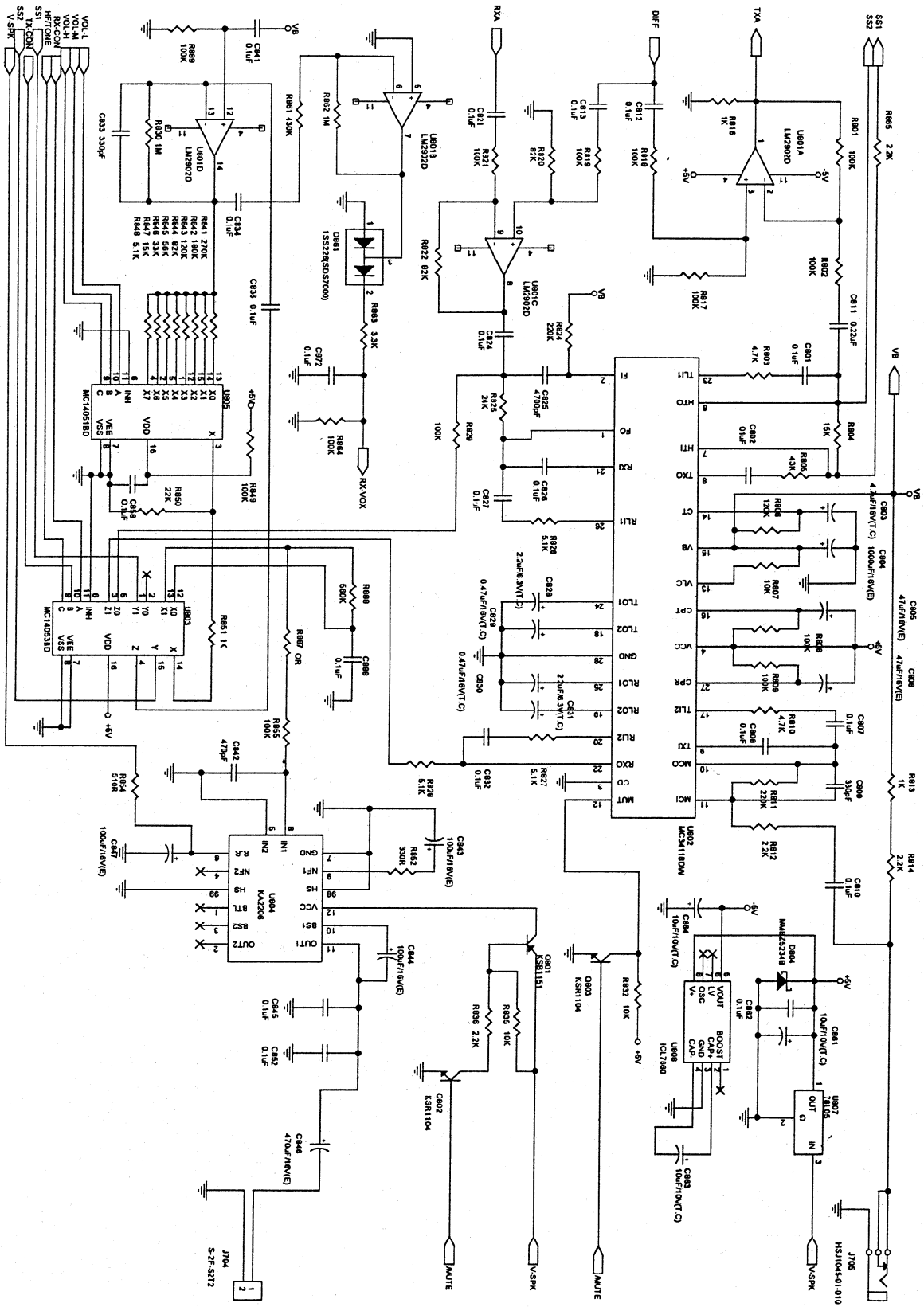
11-8 Transmitter Circuit Diagram



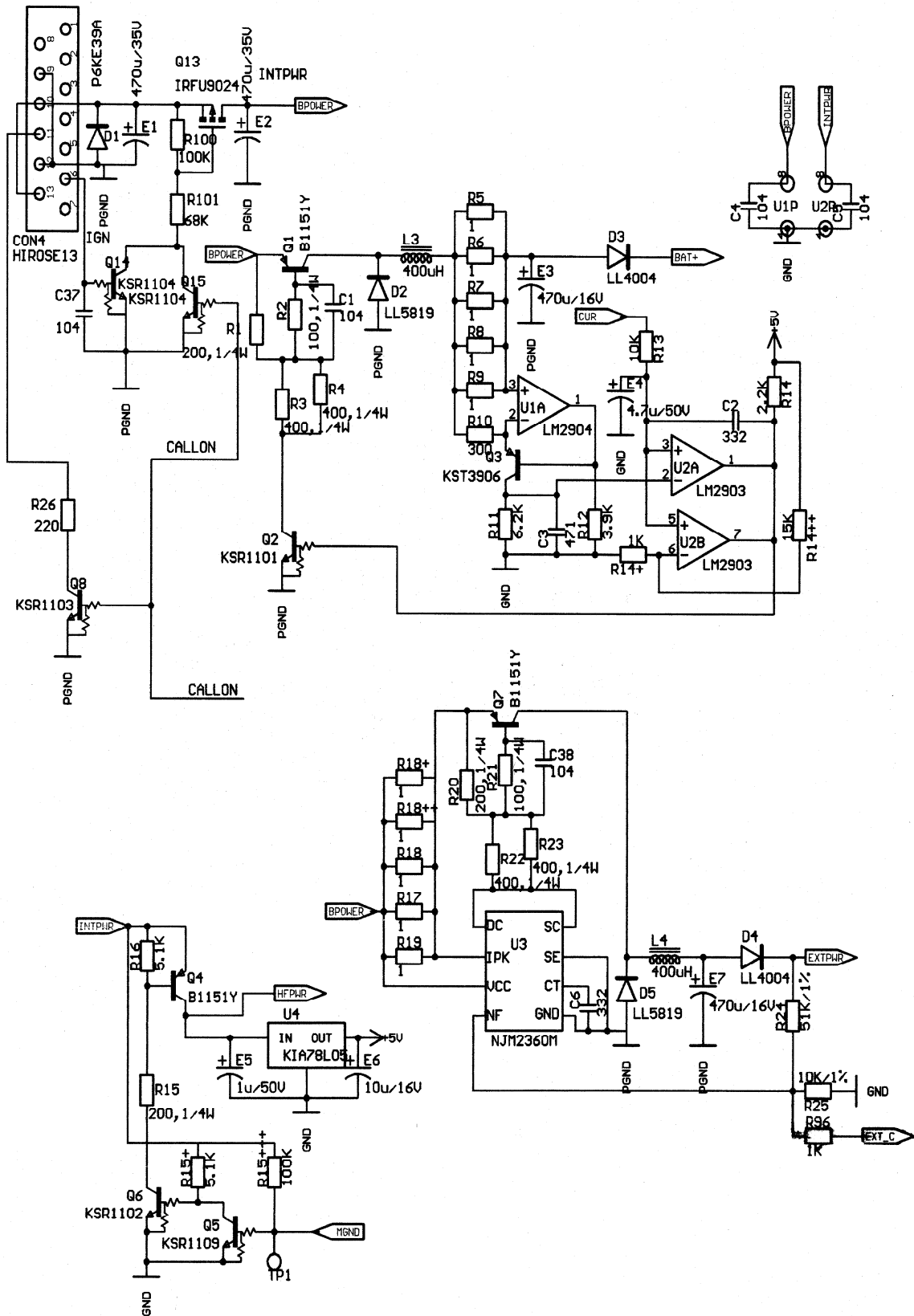
11-9 Desk-Top Rapid Charger Circuit Diagram



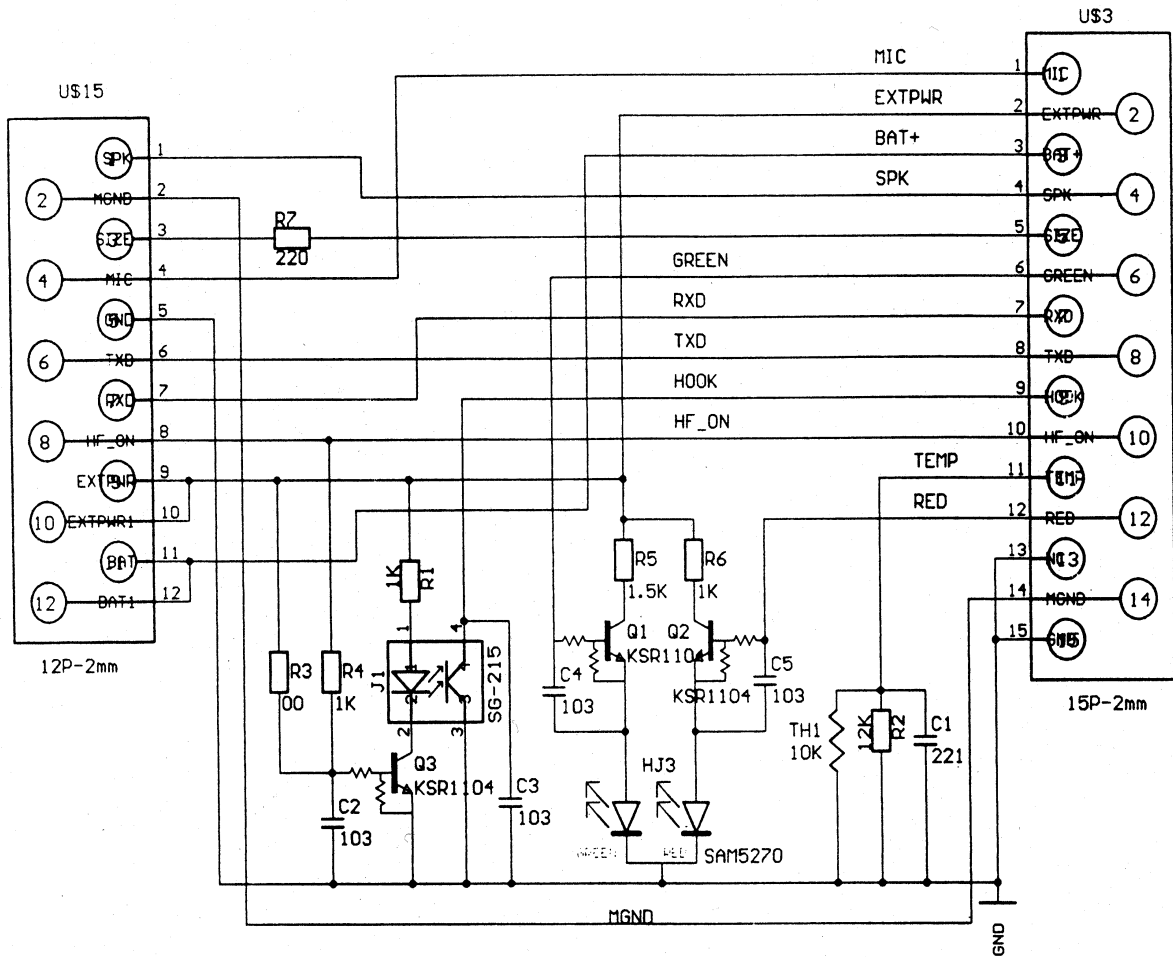
11-10 Hands-Free Circuit Diagram



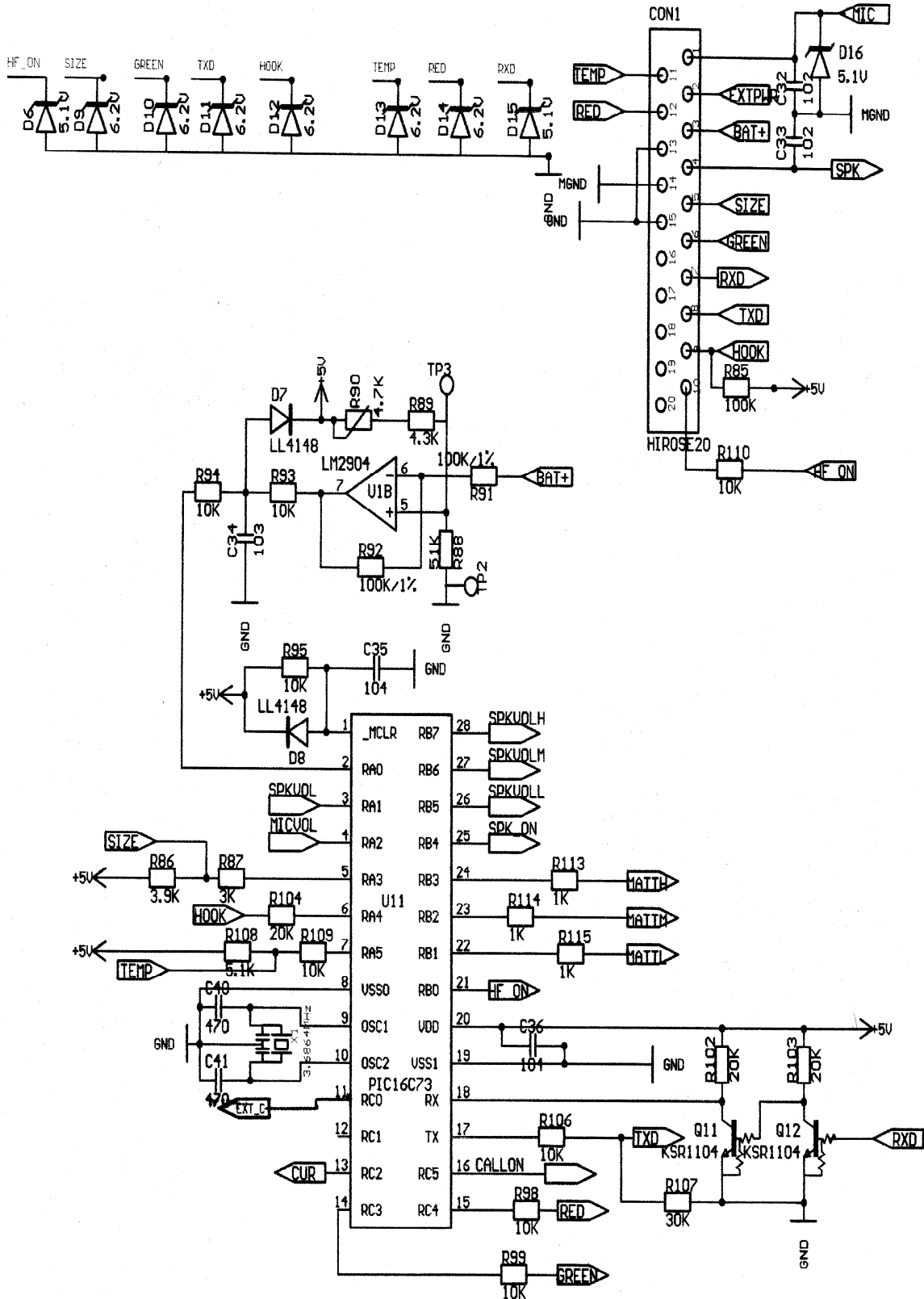
11-10-1 Power Circuit Diagram



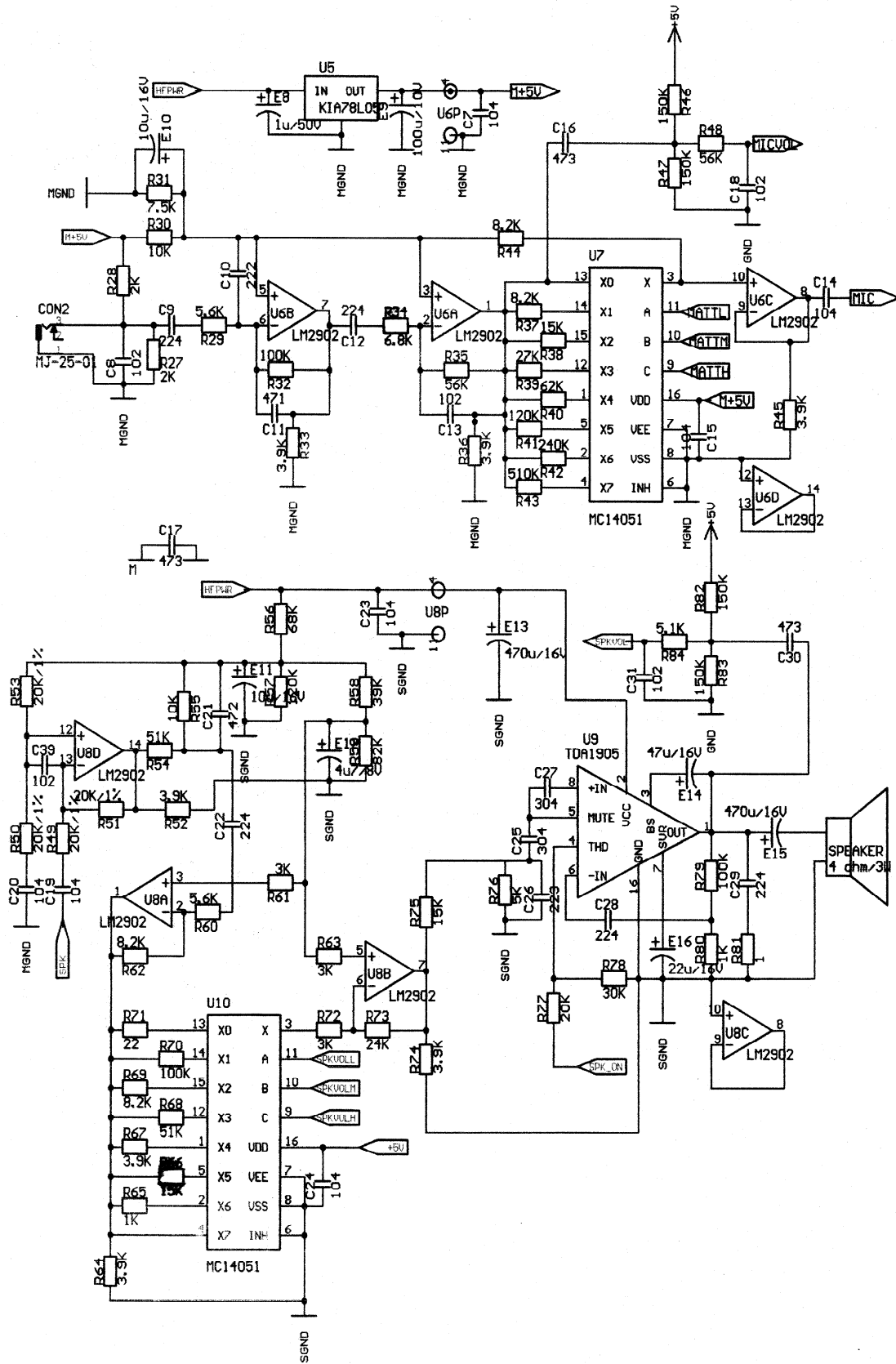
11-10-2 Holder Circuit Diagram



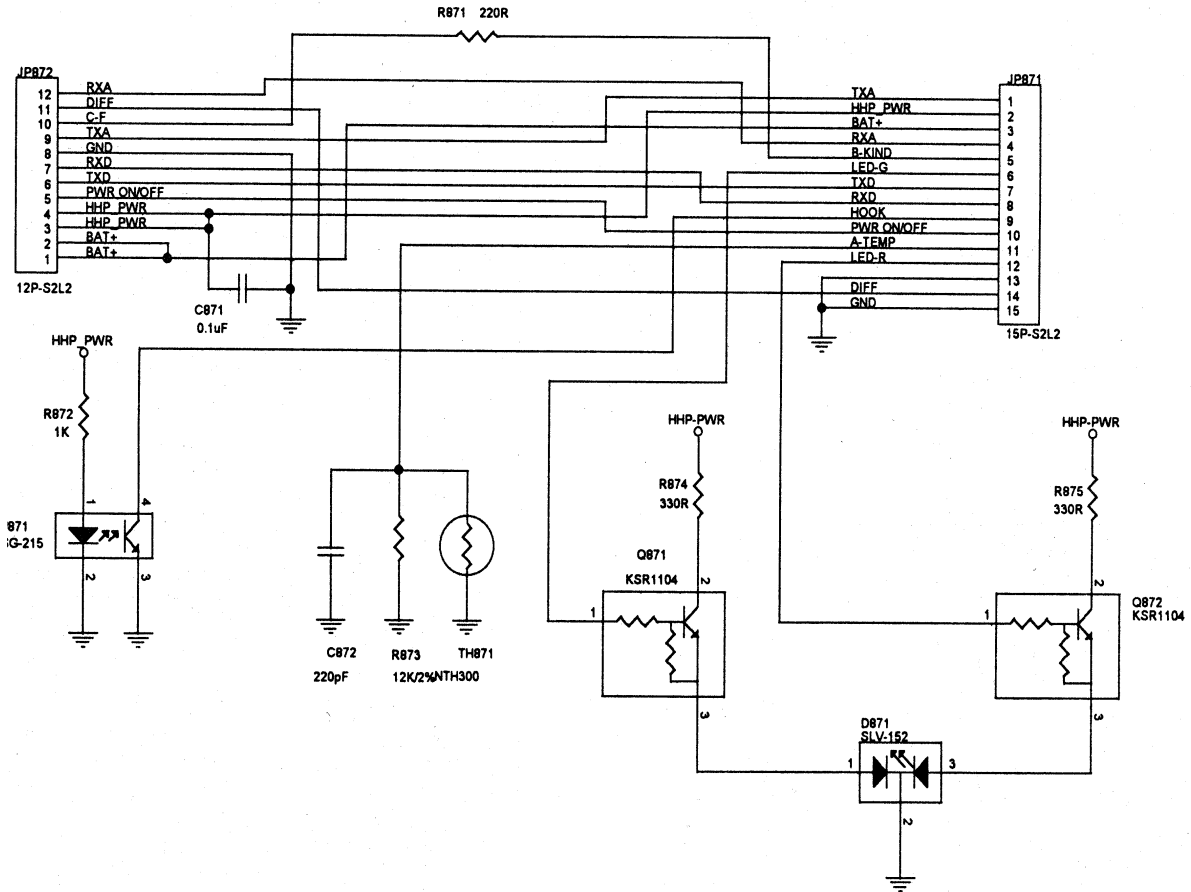
11-10-3 COMM & CONT Circuit Diagram



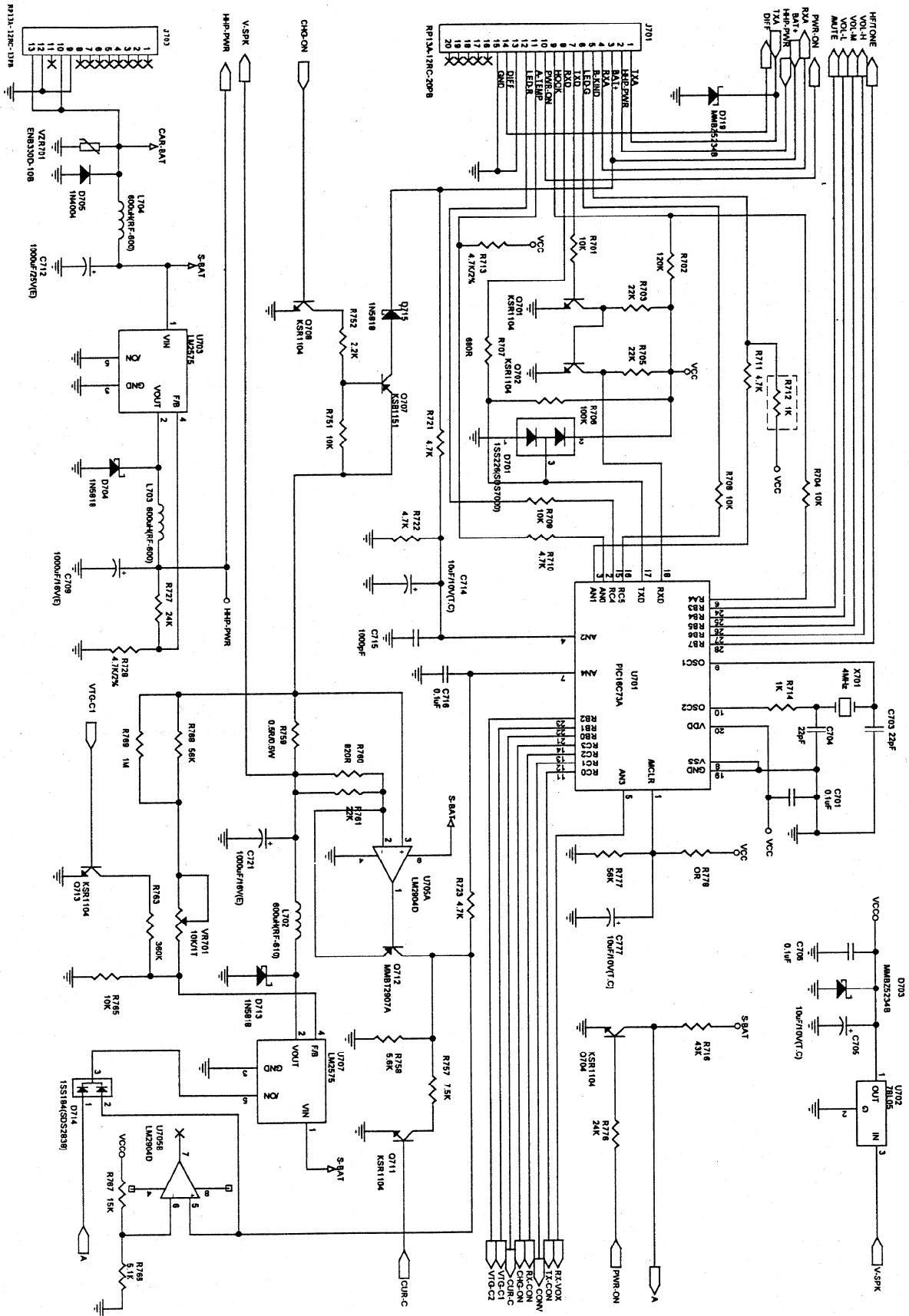
11-10-4 Audio Amp Circuit Diagram



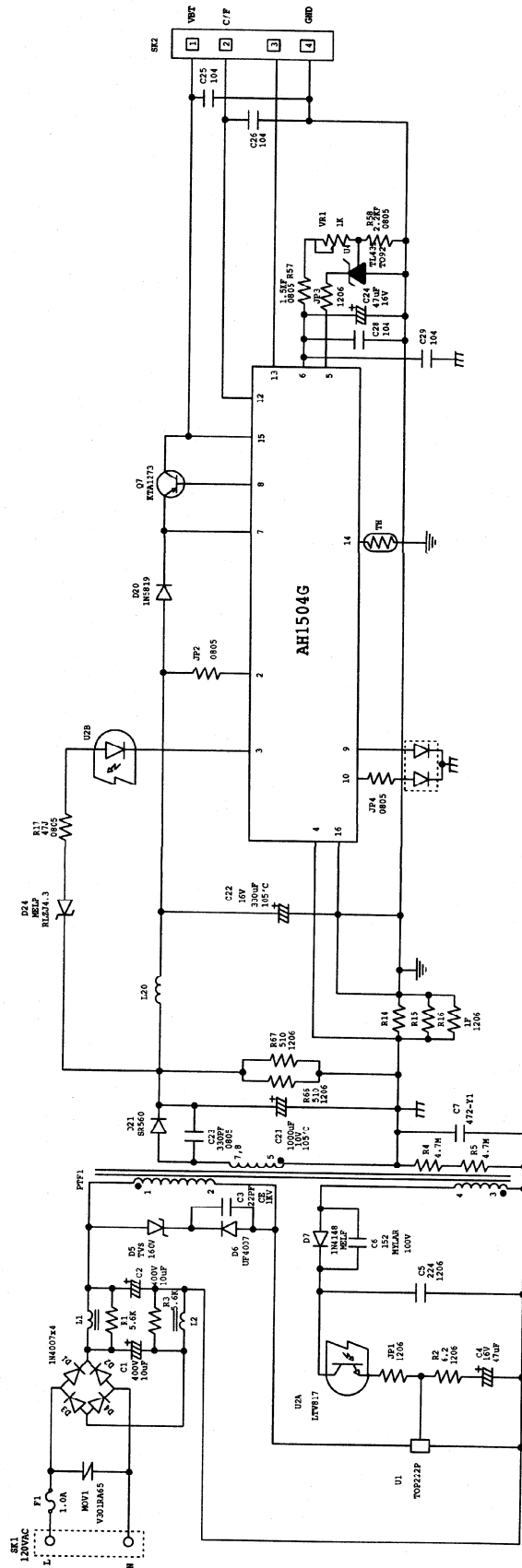
11-11 Cradle Circuit Diagram



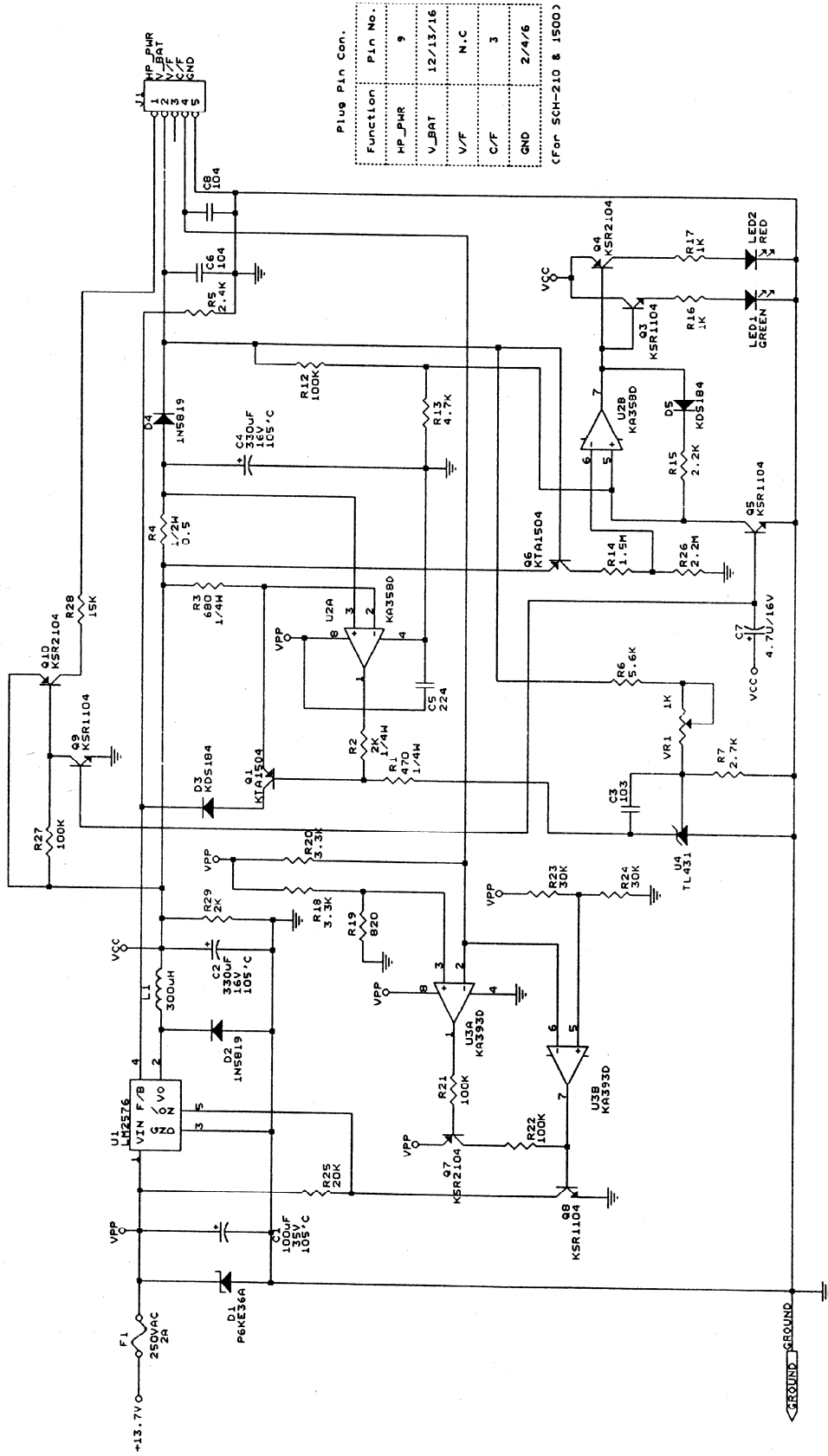
11-12 Car Adaptor Circuit Diagram



11-13 Rapid Travel Charger Circuit Diagram



11-14 CLA (Cigarette Lighter Adaptor) Circuit Diagram



Plug Pin Con.

| Function | Pin No. |
|----------|----------|
| HP_PMR | 9 |
| V_BAT | 12/13/16 |
| V/F | N.C |
| C/F | 3 |
| GND | 2/4/6 |

(For SCH-210 & 1500)